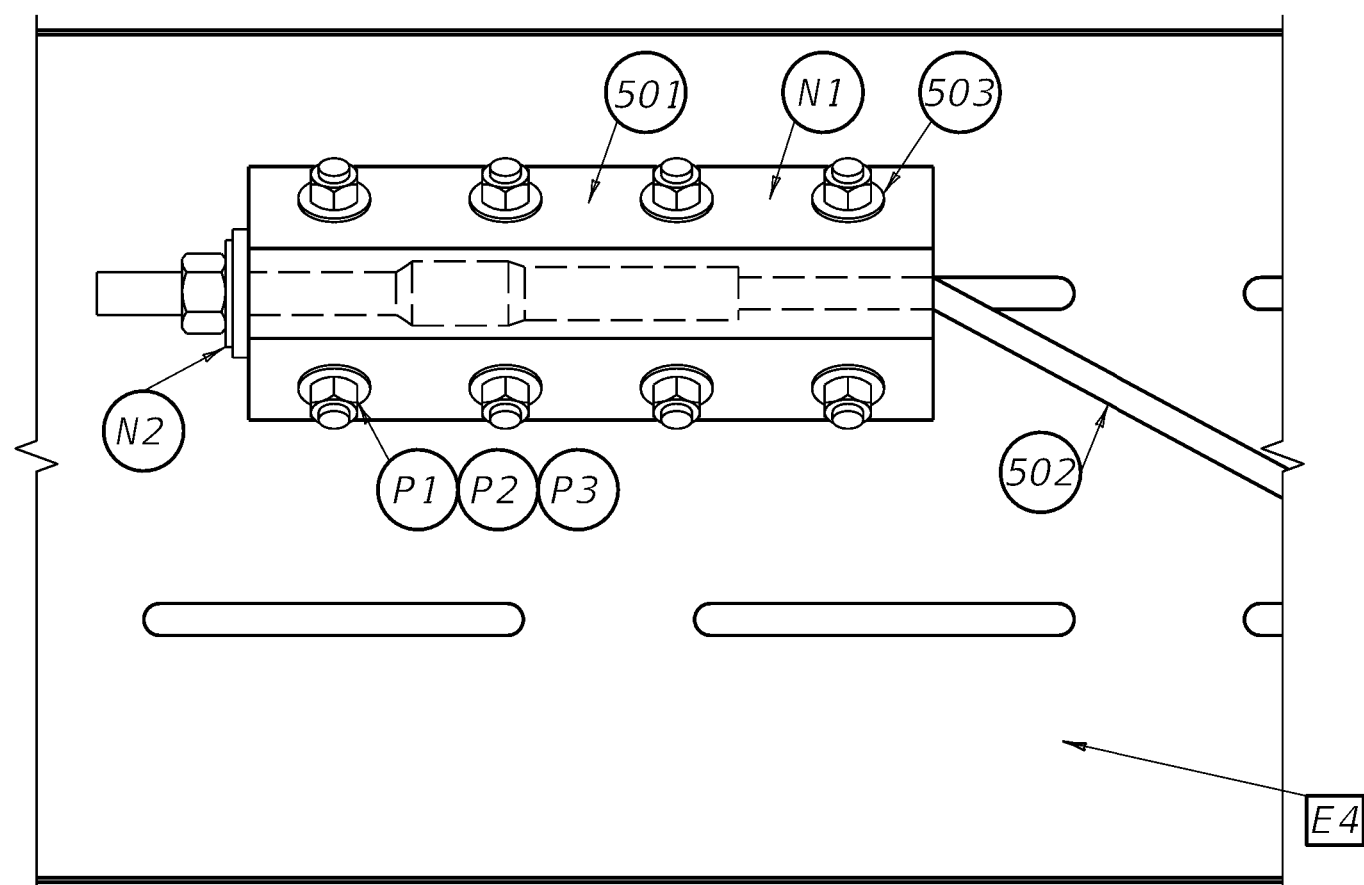
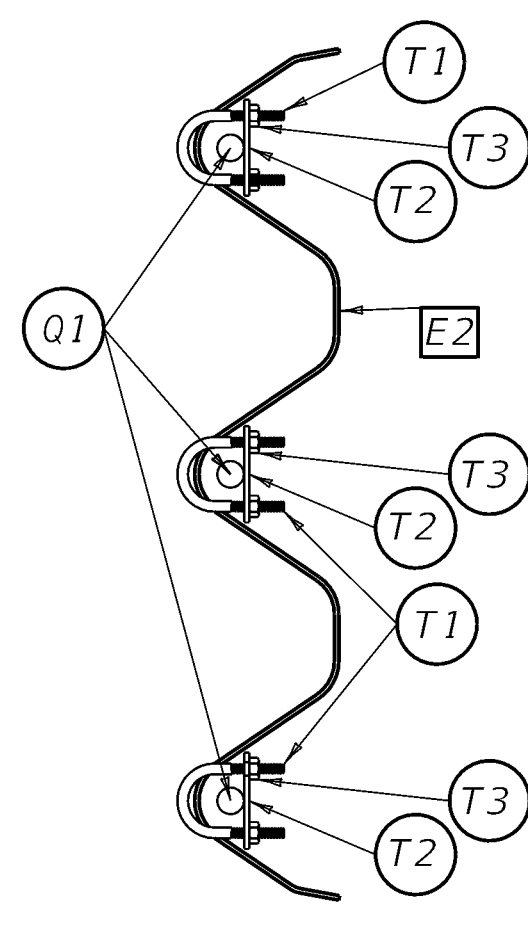


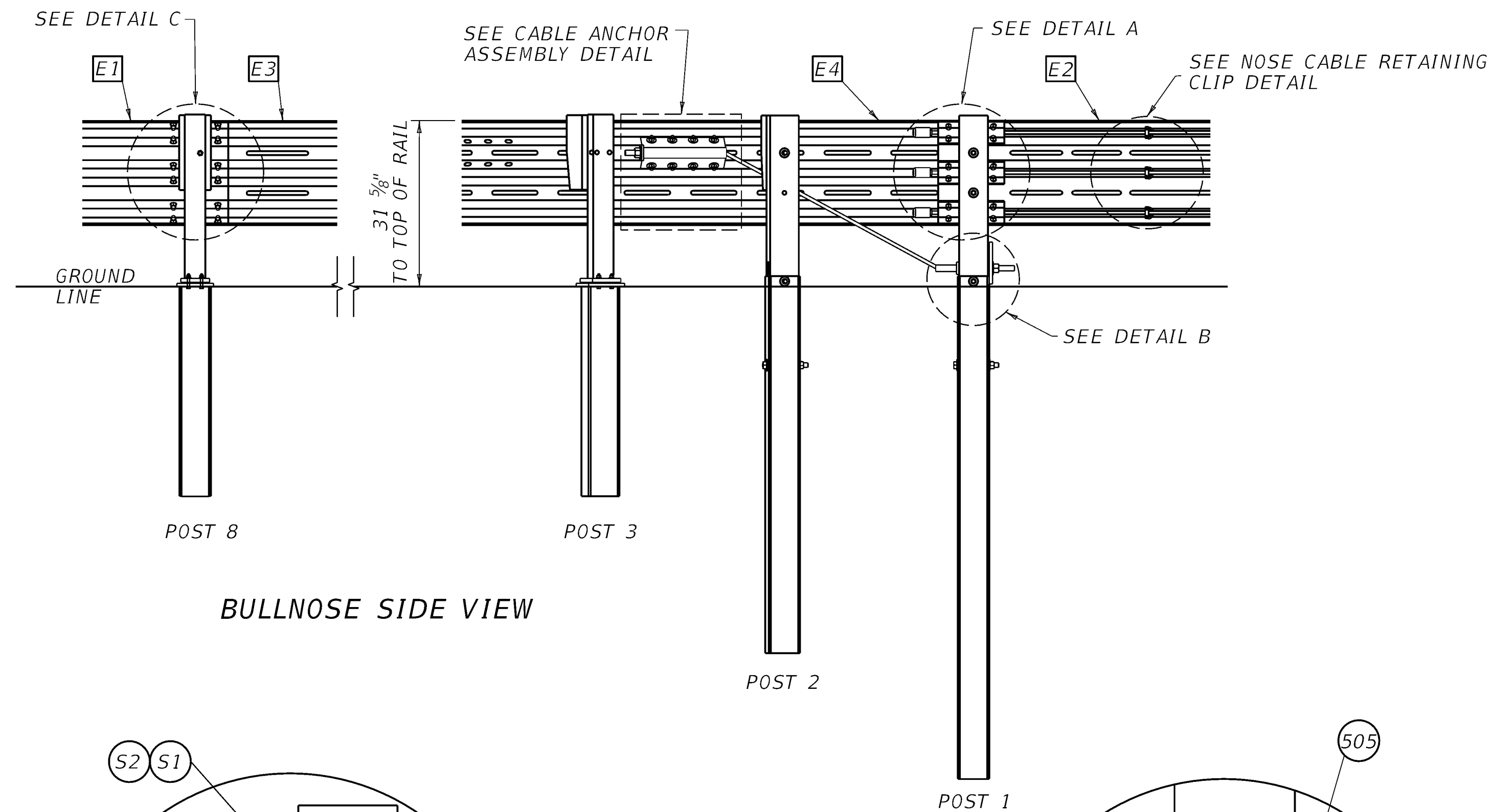
PROFILE VIEW
CABLE ANCHOR
ASSEMBLY CONNECTION



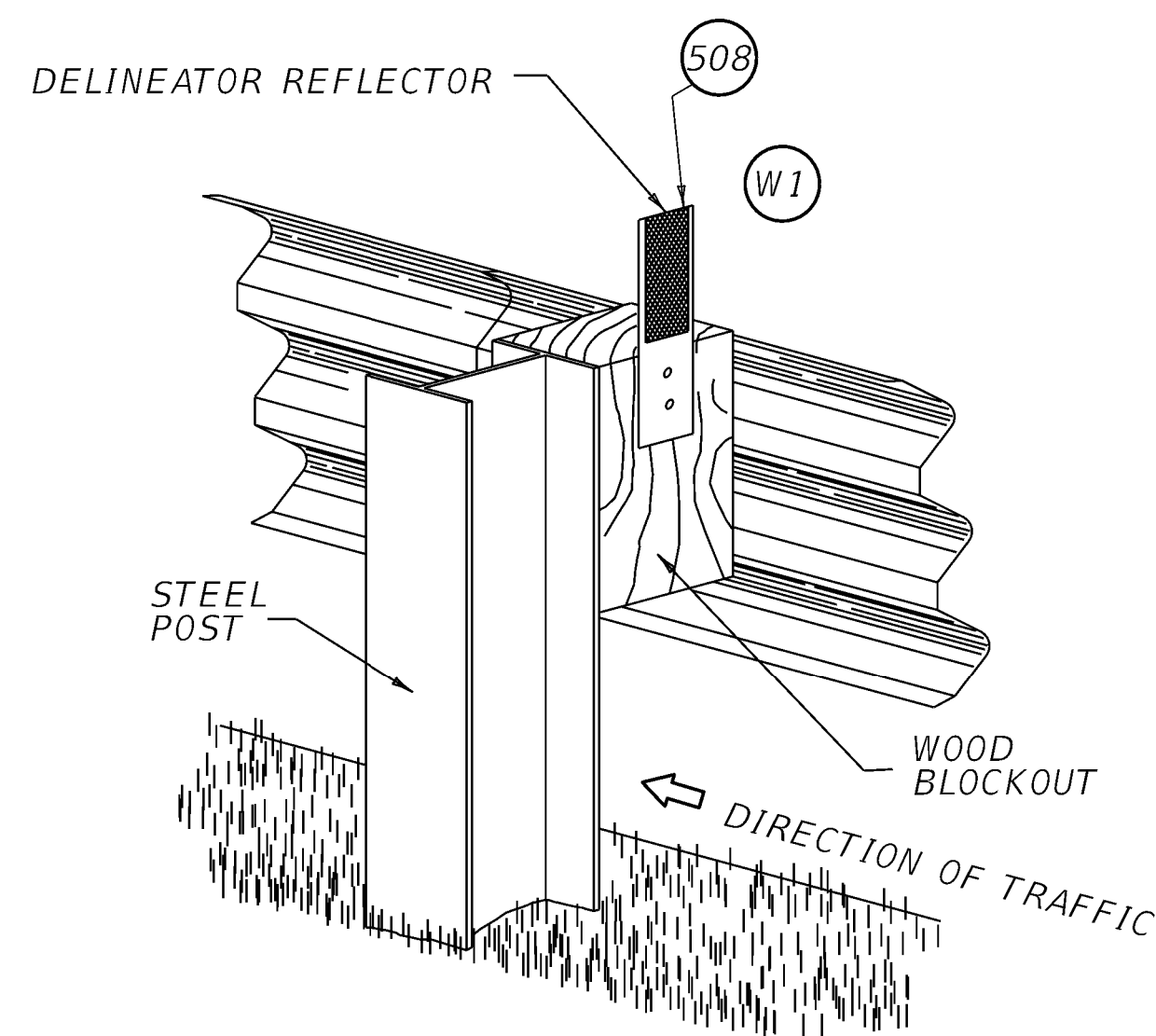
CABLE ANCHOR ASSEMBLY



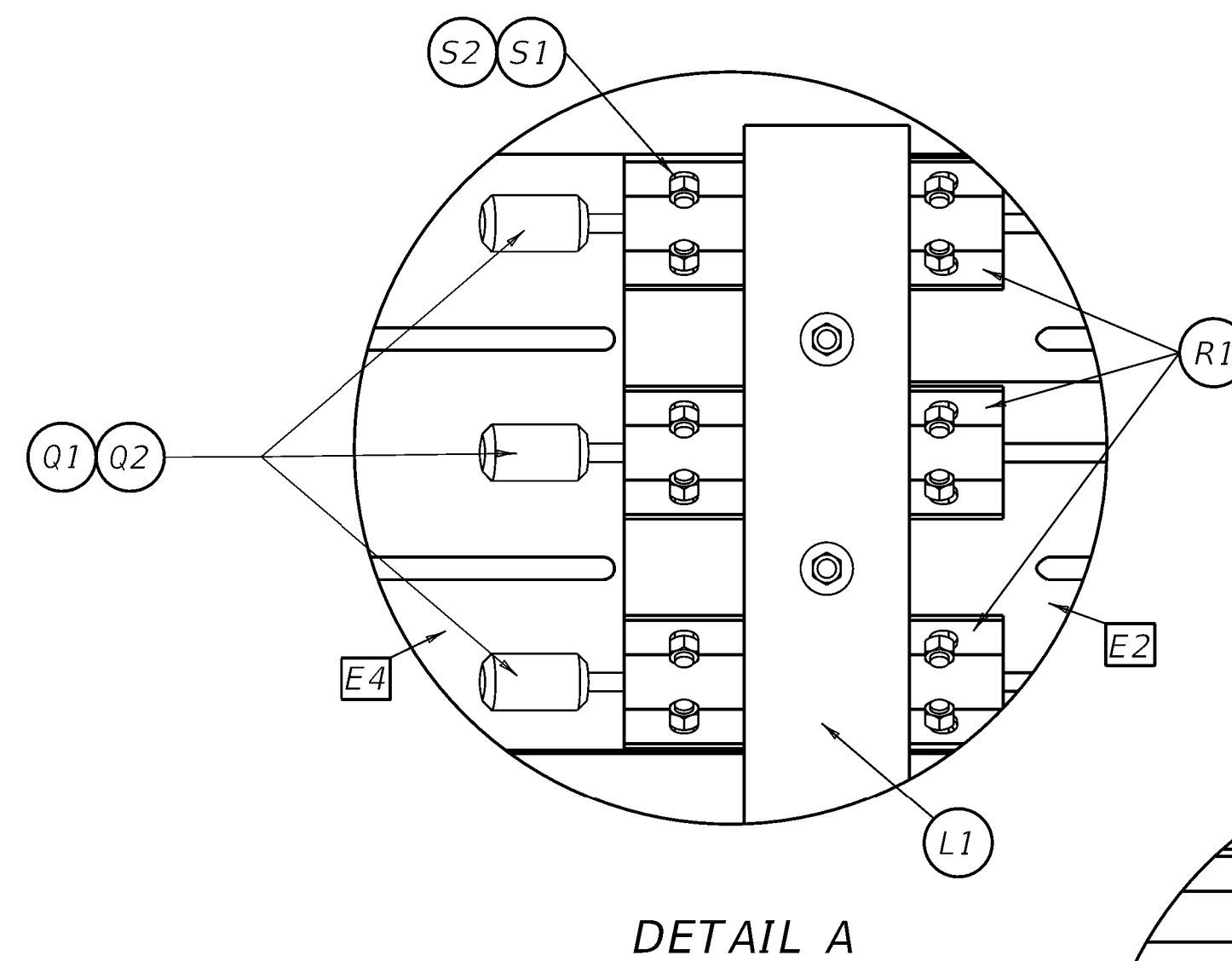
**NOSE CABLE
RETAINING CLIP**



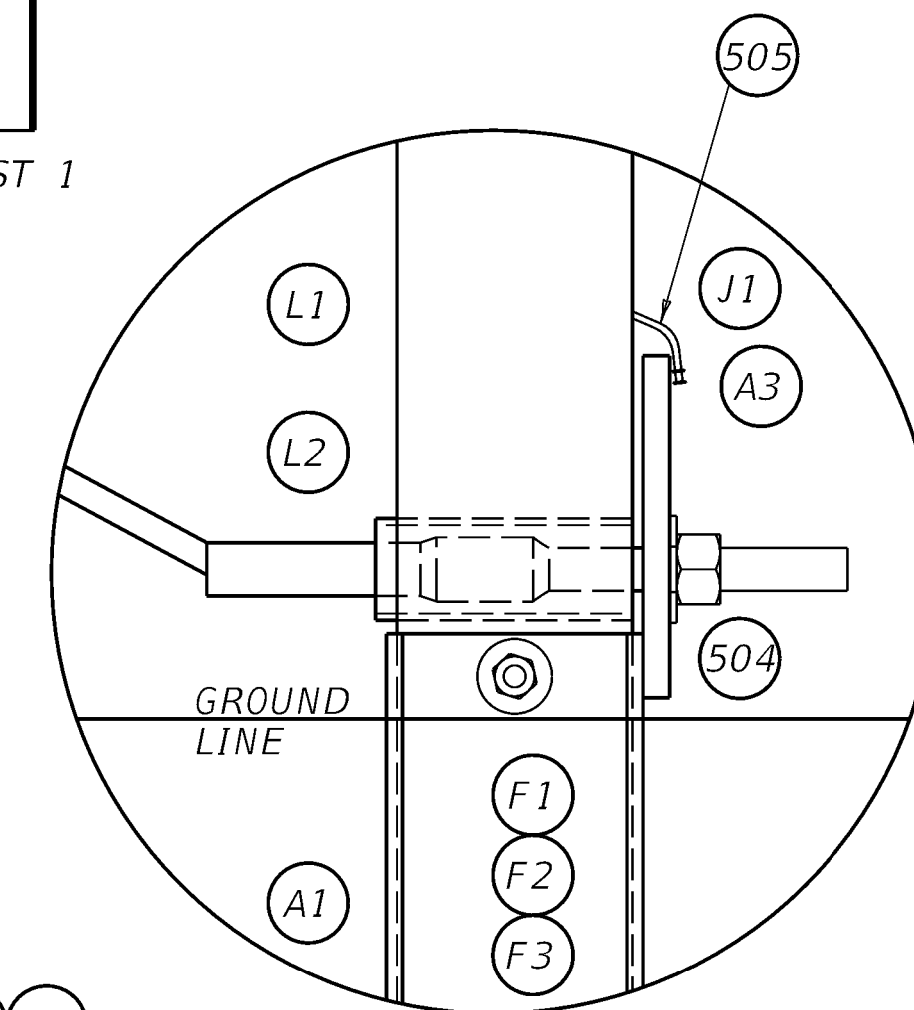
BULLNOSE SIDE VIEW



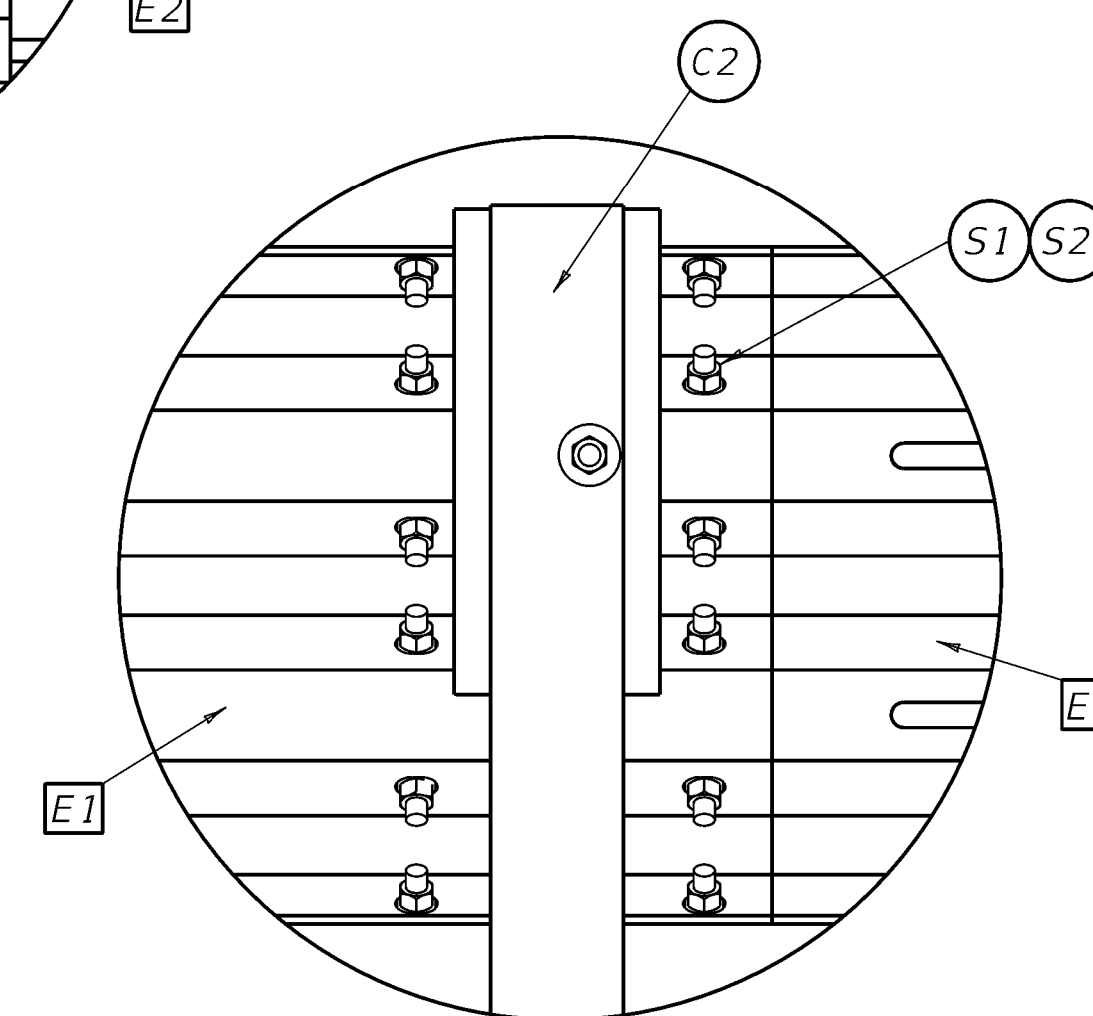
**ONE SIDED REFLECTOR DETAIL
AND TYPICAL INSTALLATION**



DETAIL A



DETAIL B



**DETAIL C
THRIE BEAM SPLICE**

~ NOTES ~

- 500 SEE SHEET 10 FOR PART DESCRIPTIONS.
- 501 SEE ANCHOR BRACKET ASSEMBLY DETAIL ON SHEET 9.
- 502 SEE ANCHOR CABLE ASSEMBLY DETAIL ON SHEET 9.
- 503 ONE WASHER BETWEEN BOLT HEAD AND RAIL AND BETWEEN NUT AND ANCHOR BRACKET ASSEMBLY.
- 504 ONE WASHER BETWEEN BOLT HEAD AND FOUNDATION TUBE AND BETWEEN NUT AND FOUNDATION TUBE.
- 505 BEND TWO NAILS OVER THE BEARING PLATE TO PREVENT ROTATION.
- 506 NO MATERIAL IS TO BE PLACED AGAINST THE VERTICAL FACES OF BEARING PLATE.
- 507 PREVENT OR REMOVE MATERIALS THAT BLOCK ACCESS TO BOLTS FOR POST ASSEMBLIES.
- 508 THE COLOR OF DELINEATORS MUST MATCH THE COLOR OF THE EDGELINE THEY SUPPLEMENT.
- 509 DELINEATOR SPACING SHOULD BE 100' WITH A MINIMUM OF 3 REFLECTORS. THE FIRST DELINEATOR SHOULD BE PLACED ON POST 3, ON THE ADJACENT TRAFFIC SIDE OF THE BULLNOSE.

SUBMITTED *W. J. Soyson* 12-10-2024
DIVISION DIRECTOR DATE



COMMONWEALTH OF KENTUCKY
DEPARTMENT OF HIGHWAYS

SEPIA 095: STEEL THRIE BEAM BULLNOSE TERMINAL

SHEET 005: NOSE AND ANCHOR DETAILS

REVISION DATE: 12.10.2024
REVISION NUMBER: 0

ITEM NO. COUNTY OF
SHEET NO.